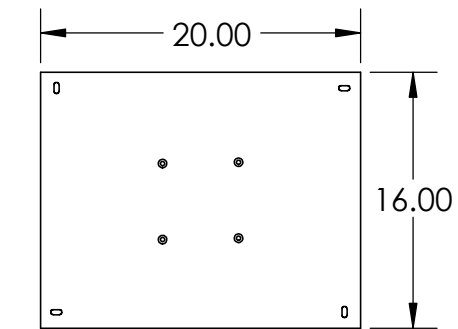
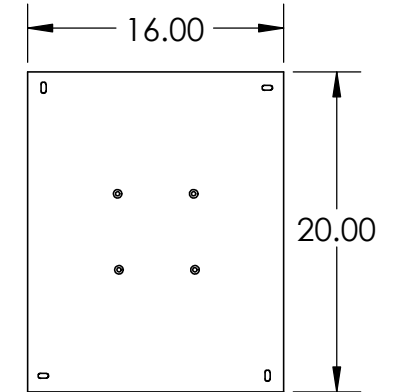


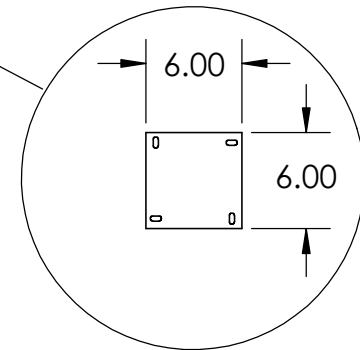
CUSTOMER PREFERENCE ON ORIENTATION  
 PANEL MANUFACTURER WILL BE RESPONSIBLE  
 FOR LOCATING THE HOLES CORRECTLY IN THE  
 PANEL



LANDSCAPE  
(SHOWN)



PORTRAIT



FINISH TYPE:POWDER COAT  
 FINISH COLOR: BLACK TEXTURE

HARDWARE INCLUDED:  
 8 ea. 1/4-20 X 3/4" SS FLAT HEAD SOCKET SCREW  
 8 ea. 1/4" SS FLAT WASHERS  
 8 ea. 1/4-20 SS NYLON INSERT LOCK NUT

TOLERANCE (UNLESS OTHERWISE SPECIFIED)

DECIMALS	FRACTIONAL	ANGULAR
+/- .030	+/- 1/32"	+/- 1 Deg

**PROPRIETARY AND CONFIDENTIAL**  
 THE INFORMATION CONTAINED IN THIS  
 DRAWING IS THE SOLE PROPERTY OF  
 DRM CORP LAKE DELTON, REEDSBURG, &  
 BARABOO, WI ANY REPRODUCTION IN  
 PART OR AS A WHOLE WITHOUT THE  
 WRITTEN PERMISSION OF  
 DRM CORPORATION IS PROHIBITED.

REV.	DESCRIPTION	DATE	APPROVED
REVISIONS			
TITLE: DOUBLE PEDESTAL IN-GROUND 16" X 20" MOUNT PLATE			DRAWING NUMBER: 12420-43D

APPROVED BY:	APPROVAL DATE:
DRAWN BY: JRK	DATE: 01/14/13
PART NUMBER: 12420-43D	SCALE: DNS
MATERIAL: ALUM.	

Page (1) OF (1)

**BEST  
EXHIBITS**  
 CUSTOM METAL EXHIBIT FABRICATION  
 DIVISION of DRM DIVERSAFAB  
 BARABOO, WI 53913