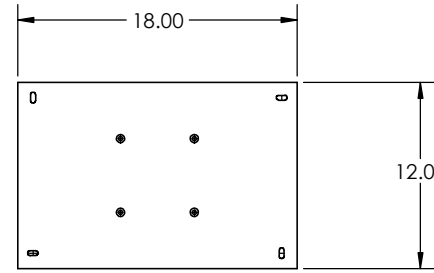
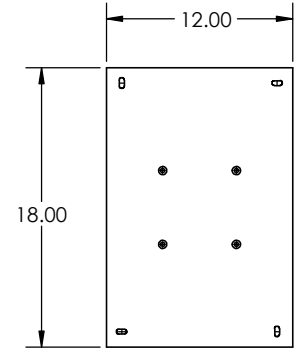


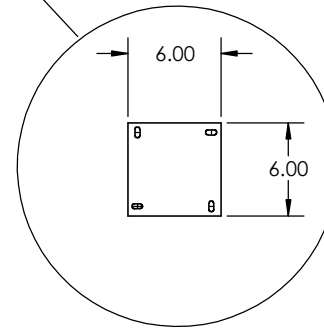
CUSTOMERS PREFERENCE ON ORIENTATION
 PANEL MANUFACTURER WILL BE RESPONSIBLE
 FOR LOCATING THE HOLES CORRECTLY IN
 THE PANEL



LANDSCAPE



PORTRAIT



FINISH TYPE: POWDER COAT
 FINISH COLOR: BLACK TEXTURE

HARDWARE INCLUDED:
 8 ea. 1/4-20 X 3/4" SS FLAT HEAD SOCKET SCREW
 8 ea. 1/4" SS FLAT WASHERS
 8 ea. 1/4-20 SS NYLON INSERT LOCK NUT

GRADE
 BELOW GRADE

TOLERANCE (UNLESS OTHERWISE SPECIFIED)		
DECIMALS +/- .030	FRACTIONAL +/- 1/32"	ANGULAR +/- 1 Deg

PROPRIETARY AND CONFIDENTIAL
 THE INFORMATION CONTAINED IN THIS
 DRAWING IS THE SOLE PROPERTY OF
 DRM CORP LAKE DELTON, REEDSBURG, &
 BARABOO, WI ANY REPRODUCTION IN
 PART OR AS A WHOLE WITHOUT THE
 WRITTEN PERMISSION OF
 DRM CORPORATION IS PROHIBITED.

REV.	DESCRIPTION	DATE	APPROVED
REVISIONS			
TITLE: DOUBLE PEDESTAL IN-GROUND 12" X 18" MOUNT PLATE			DRAWING NUMBER: 12420-46D

APPROVED BY:	APPROVAL DATE:
DRAWN BY: JRK	DATE: 03/01/13
PART NUMBER: 12420-46D	
MATERIAL: ALUM.	SCALE: DNS
Page (1) OF (1)	

BEST EXHIBITS
 CUSTOM METAL EXHIBIT FABRICATION
 DIVISION of DRM DIVERSAFAB
 BARABOO, WI 53913