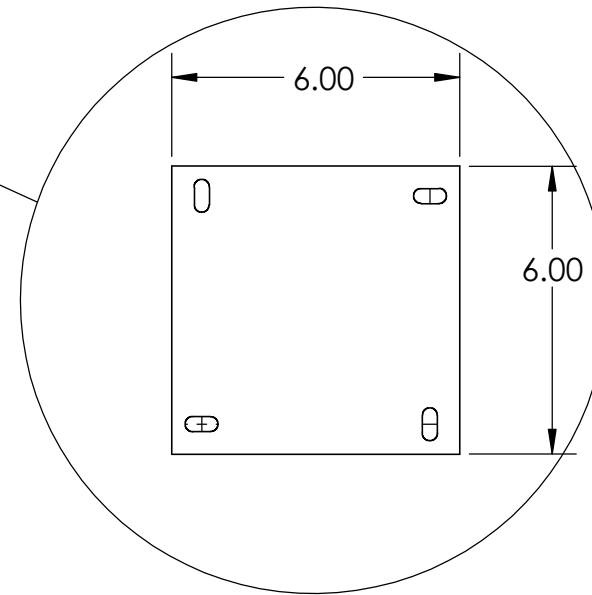
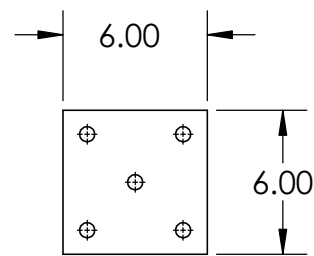


CUSTOMER PREFERENCE ON ORIENTATION
PANEL MANUFACTURER WILL BE RESPONSIBLE
FOR LOCATING THE HOLES CORRECTLY IN THE
PANEL



FINISH TYPE:POWDER COAT
FINISH COLOR: BLACK TEXTURE



REV.	DESCRIPTION	DATE	APPROVED
REVISIONS			
TITLE:		DRAWING NUMBER:	
DOUBLE PEDESTAL SURFACE MOUNT 6" X 6" MOUNT PLATE		12420-50D	
APPROVED BY:		APPROVAL DATE:	
DRAWN BY: JRK		DATE: 03/01/13	
PART NUMBER: 12420-50D		SCALE: DNS	
MATERIAL: ALUM.		Page (1) OF (1)	
<p>PROPRIETARY AND CONFIDENTIAL</p> <p>THE INFORMATION CONTAINED IN THIS DRAWING IS THE SOLE PROPERTY OF DRM CORP LAKE DELTON, REEDSBURG, & BARABOO, WI ANY REPRODUCTION IN PART OR AS A WHOLE WITHOUT THE WRITTEN PERMISSION OF DRM CORPORATION IS PROHIBITED.</p>			
TOLERANCE (UNLESS OTHERWISE SPECIFIED)			
DECIMALS +/- .030	FRACTIONAL +/- 1/32"	ANGULAR +/- 1 Deg	
<p>BEST EXHIBITS</p> <p>CUSTOM METAL EXHIBIT FABRICATION</p> <p>DIVISION of DRM DIVERSAFAB</p> <p>BARABOO, WI 53913</p>			