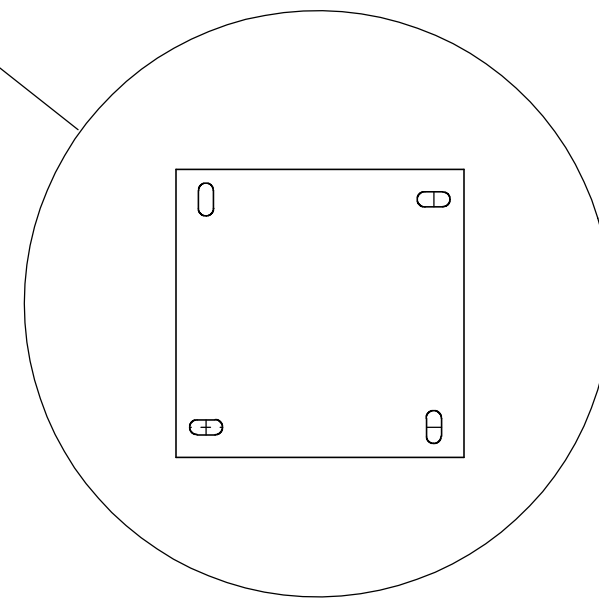
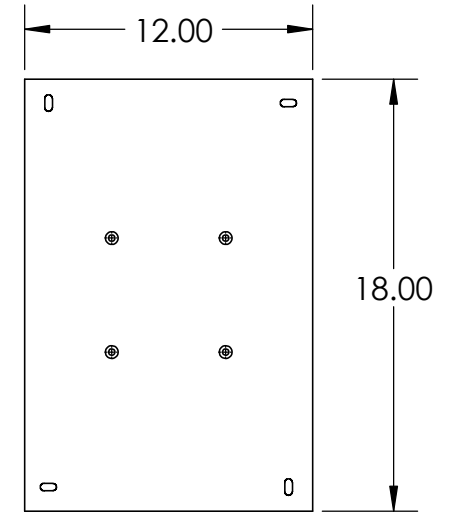
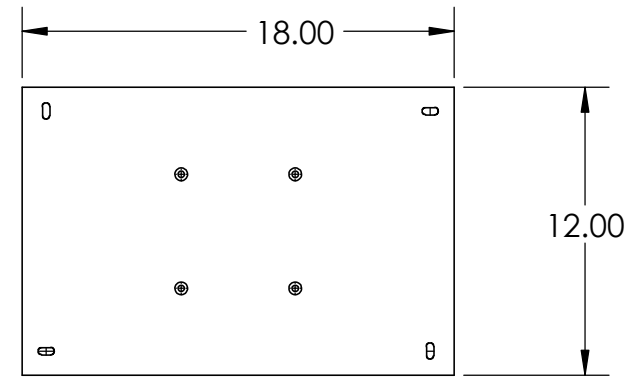
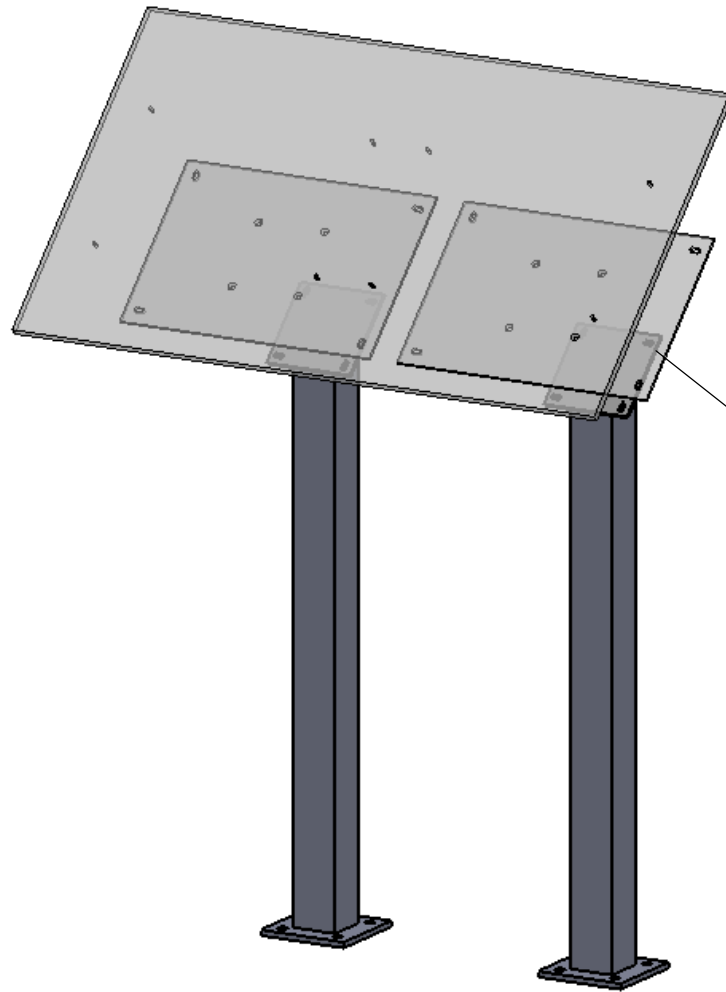
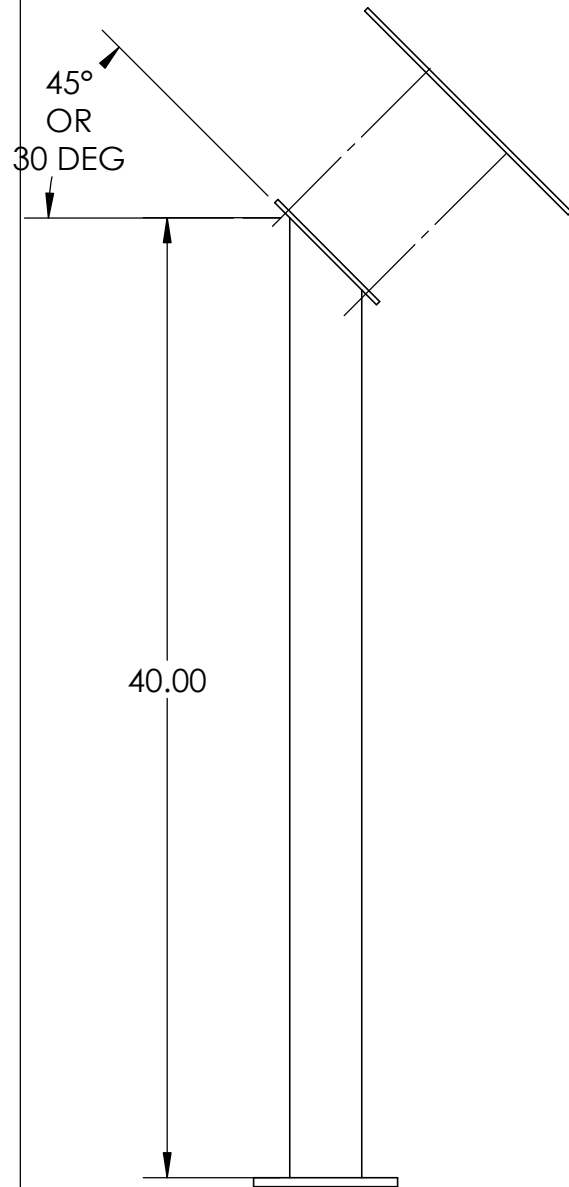
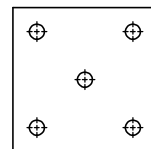


CUSTOMER PREFERENCE ON ORIENTATION  
 PANEL MANUFACTURER WILL BE RESPONSIBLE  
 FOR LOCATING THE HOLES CORRECTLY IN THE  
 PANEL



FINISH TYPE:POWDER COAT  
 FINISH COLOR: BLACK TEXTURE

HARDWARE INCLUDED:  
 8 ea. 1/4-20 X 3/4" SS FLAT HEAD SOCKET SCREW  
 8 ea. 1/4" SS FLAT WASHERS  
 8 ea. 1/4-20 SS NYLON INSERT LOCK NUT



REV.	DESCRIPTION	DATE	APPROVED
REVISIONS			
TITLE:		DRAWING NUMBER:	
DOUBLE PEDESTAL SURFACE MOUNT 12" X 18" MOUNT PLATE		12420-87D	
APPROVED BY:		APPROVAL DATE:	
DRAWN BY:		DATE:	
JRK		03/01/13	
PART NUMBER:		SCALE:	
12420-87D		DNS	
MATERIAL:		Page (1) OF (1)	
ALUM.			
<p><b>PROPRIETARY AND CONFIDENTIAL</b></p> <p>THE INFORMATION CONTAINED IN THIS DRAWING IS THE SOLE PROPERTY OF DRM CORP LAKE DELTON, REEDSBURG, &amp; BARABOO, WI ANY REPRODUCTION IN PART OR AS A WHOLE WITHOUT THE WRITTEN PERMISSION OF DRM CORPORATION IS PROHIBITED.</p>			
TOLERANCE (UNLESS OTHERWISE SPECIFIED)			
DECIMALS +/- .030	FRACTIONAL +/- 1/32"	ANGULAR +/- 1 Deg	

**BEST EXHIBITS**  
 CUSTOM METAL EXHIBIT FABRICATION  
 DIVISION of DRM DIVERSAFAB  
 BARABOO, WI 53913