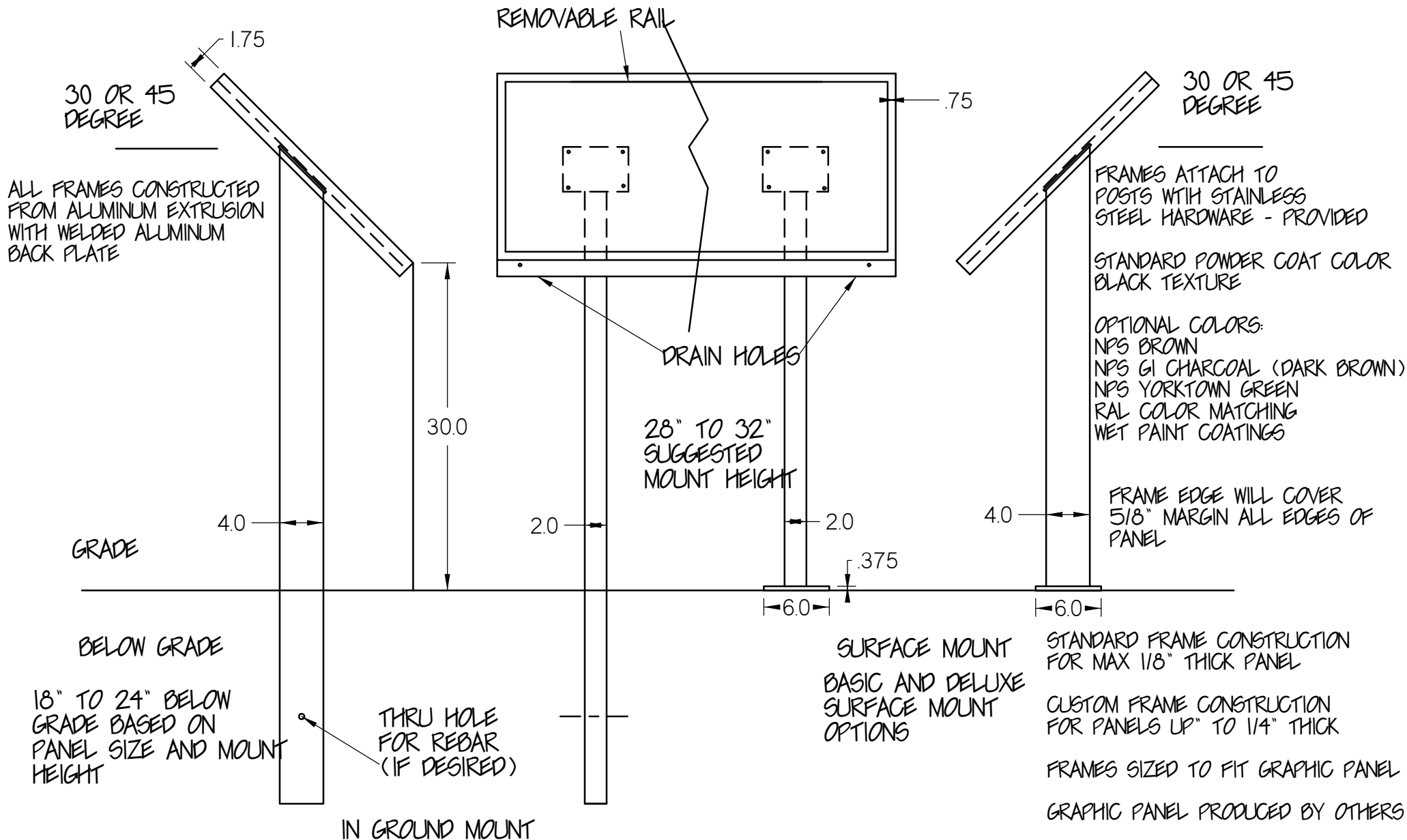


BEST-EXHIBITS
 DIVISION OF DRM DIVERSAFAB
 INFO@BEST-EXFAB.COM
 WWW.BEST-EXFAB.COM

SIGN FRAME AND (2) POST WITH PLATE EXHIBIT BASE
 IN GROUND MOUNT AND SURFACE MOUNT
 ALL ALUMINUM CONSTRUCTION



OPTIONAL 2 POSTS ON FRAMES FOR PANELS 18"H X 24" W
 2 POSTS STANDARD ON ALL LARGER FRAMES