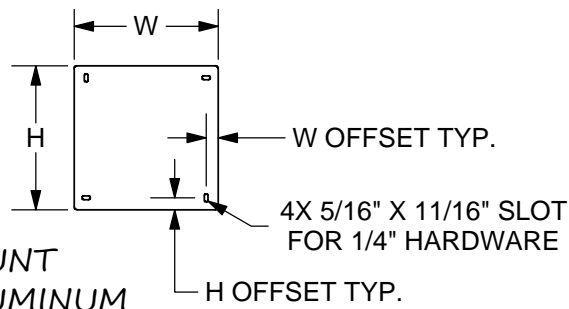
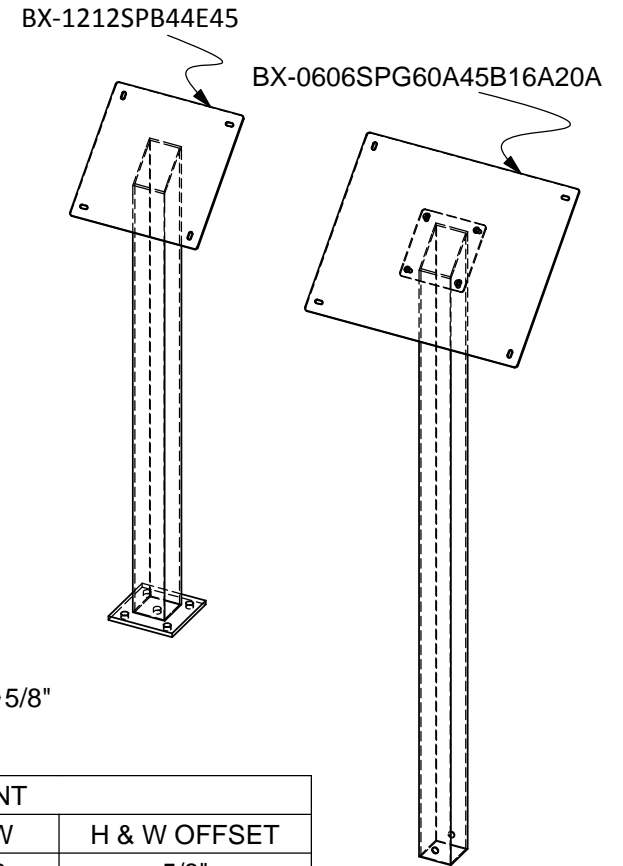
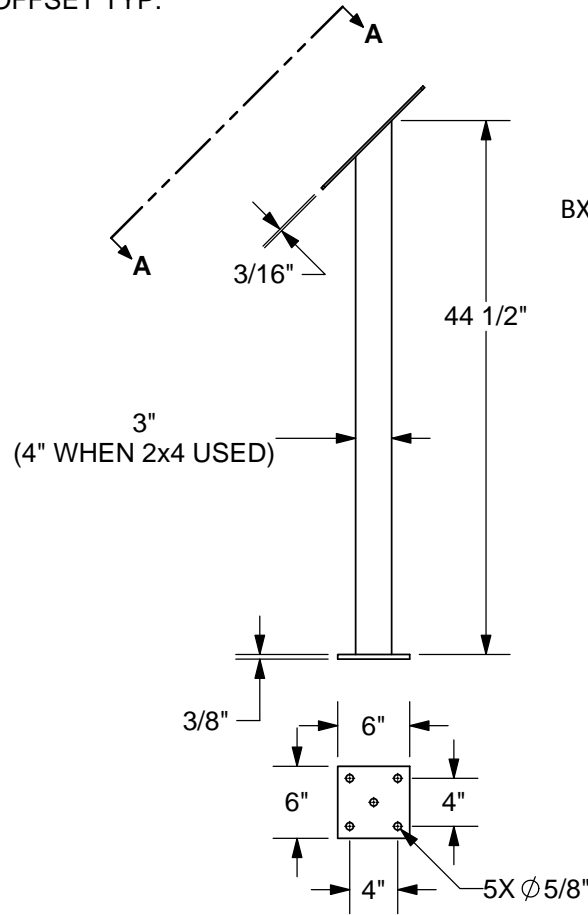
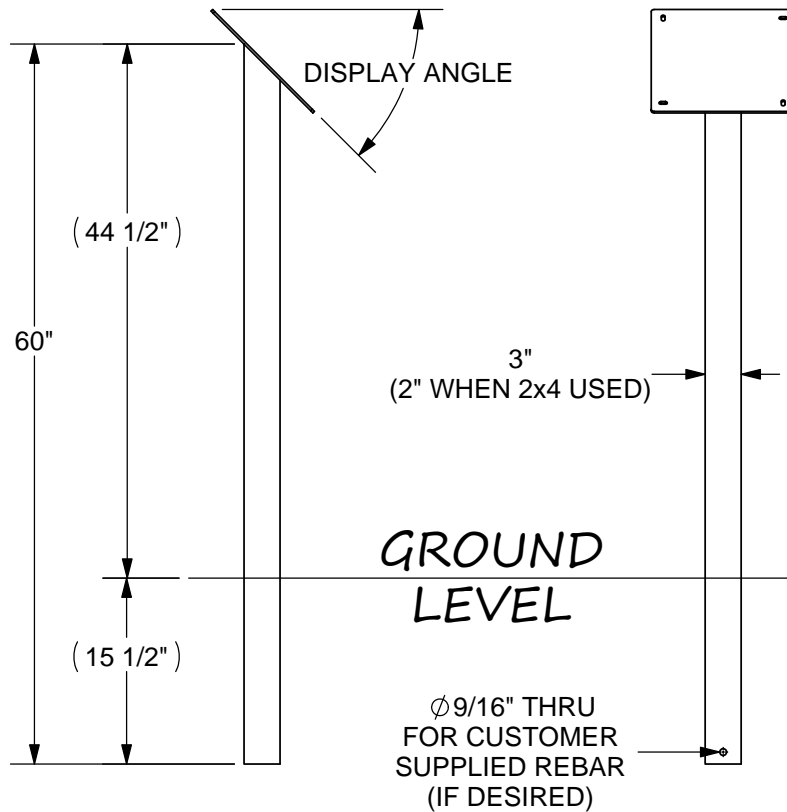
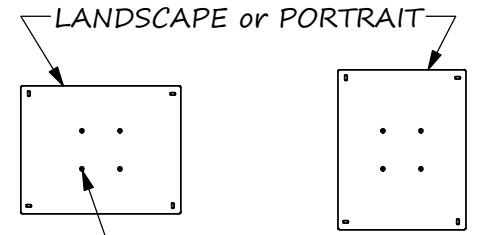


# POST PEDESTAL

- 45 or 30° DISPLAY ANGLE
- 3x3 or 2x4 POST
- IN-GROUND or SURFACE MOUNT
- BLACK POWDER COATED ALUMINUM



2 PC CONSTRUCTION  
ORIENTATION BASED ON ASSEMBLY



IN-GROUND MOUNT		
PART # (less color code)	H x W	H & W OFFSET
BX-0606SPG60A45	6 x 6	5/8"
BX-1212SPG60A45	12 x 12	1"
BX-0606SPG60A45B12A18A*	12 x 18	1"
BX-0606SPG60A45B16A20A*	16 x 20	1"

\* = 2 PC CONSTRUCTION, BX-0606SPG60A45 POST w/ HxW BACKER PLATE & HARDWARE TO MOUNT PLATE TO POST

SURFACE MOUNT		
PART # (less color code)	H x W	H & W OFFSET
BX-0606SPB44E45	6 x 6	5/8"
BX-1212SPB44E45	12 x 12	1"
BX-0606SPB44E45B12A18A*	12 x 18	1"
BX-0606SPB44E45B16A20A*	16 x 20	1"

\* = 2 PC CONSTRUCTION, BX-0606SPB44E45 POST w/ HxW BACKER PLATE & HARDWARE TO MOUNT PLATE TO POST