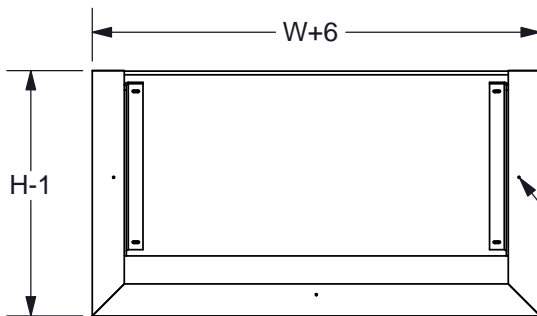
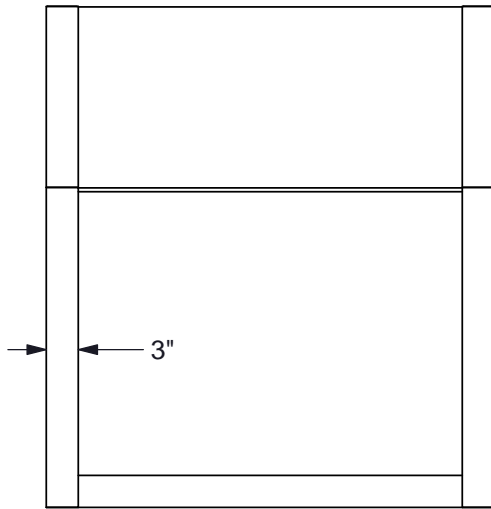
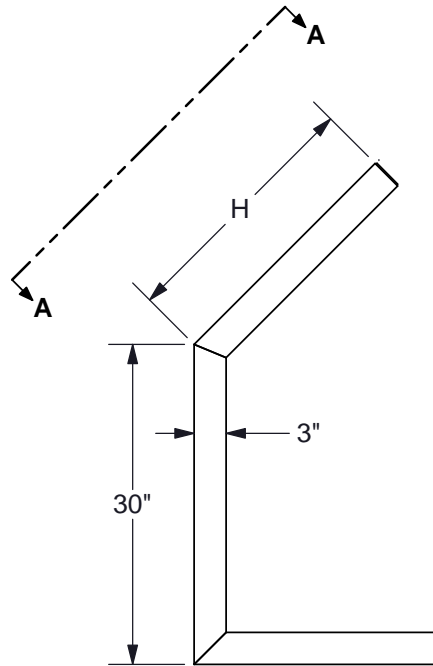


### CANTILEVER SLED BASE FOR SELF-SUPPORTING PANEL

- 45 or 30° DISPLAY ANGLE
- FOR SELF-SUPPORTING PANEL HxW, 1/2" OR THICKER
- 3x3 FRAMEWORK
- BLACK POWDER COATED ALUMINUM

\* Graphic panel produced by others



NOTE: # of holes are listed per bracket/side of panel

PANEL HEIGHT	# HOLES
24 & UNDER	2
25-36	3

$$SPACING = (H-4)/(\# HOLES-1)$$

NOT RECOMMENDED FOR PANEL HEIGHTS OVER 30"

