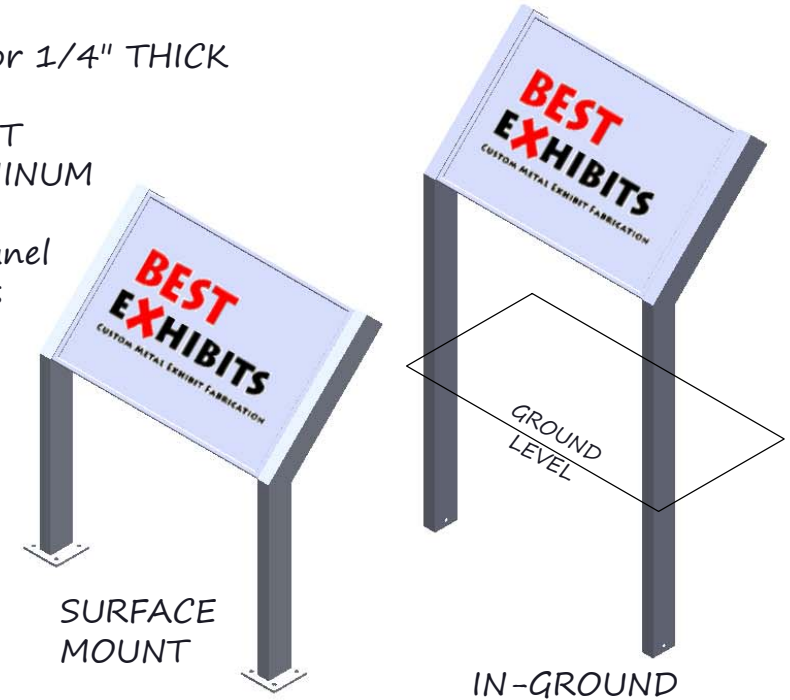


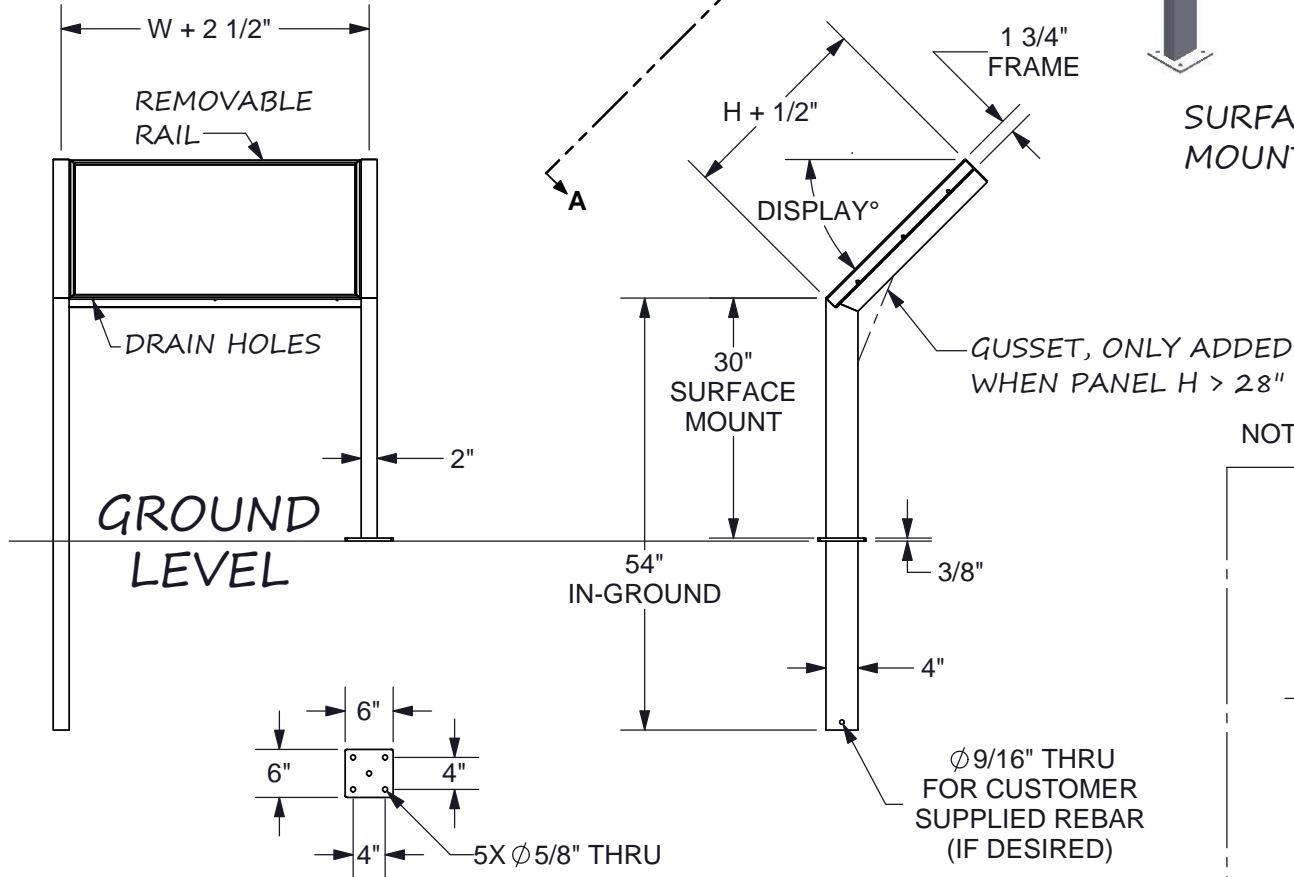
FRAME w/CANTILEVER EXHIBIT BASE

- 45 or 30° DISPLAY ANGLE
- FRAME FOR PANEL HxW, 1/8" or 1/4" THICK
- 2x4 or 3x3 ARM & POST
- IN-GROUND or SURFACE MOUNT
- BLACK POWDER COATED ALUMINUM

* Frames are sized to fit graphic panel
 * Graphic panel produced by others



PANEL H	POST & ARM CONSTRUCTION
UP TO 28"	2x4
>28	3x3



NOT RECOMMENDED FOR PANEL HEIGHTS OVER 30

