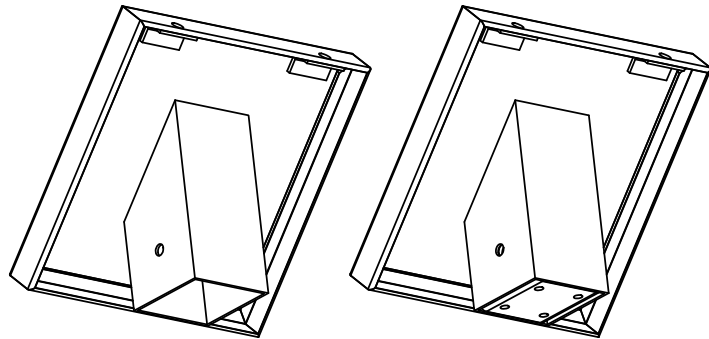
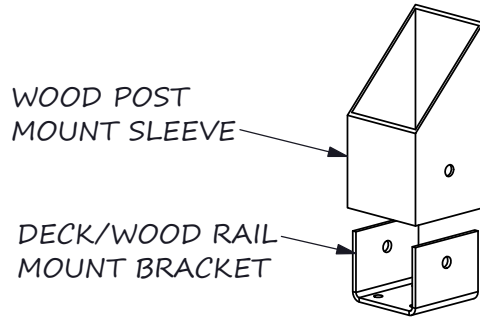


# FRAME w/ MOUNTING OPTIONS

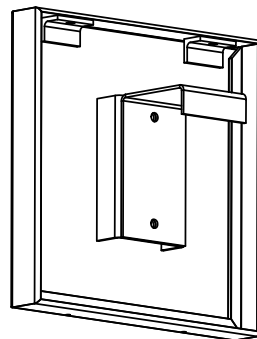
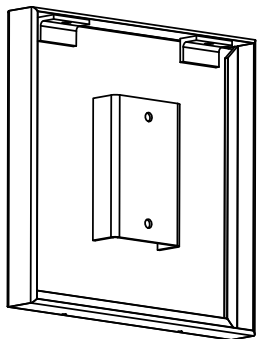
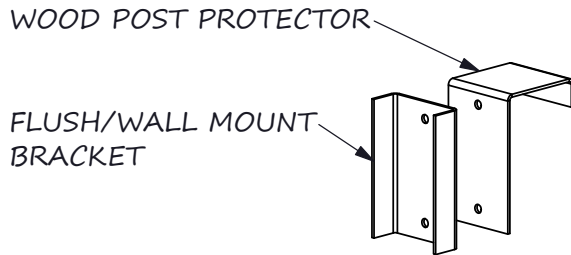
- FRAME FOR PANEL HxW, 1/8" or 1/4" THICK
- MOUNT OPTIONS ARE WELDED TO BACK OF FRAME & INCLUDE THE FOLLOWING MOUNT OPTIONS:
  - WOOD POST MOUNT SLEEVE - 45 or 30°
  - DECK/WOOD RAIL MOUNT - 45 or 30°
  - WALL/FLUSH MOUNT - 90°
  - WOOD POST MOUNT w/ POST PROTECTOR - 90°
  - ROUND RAILING MOUNT(S) FOR RAILING DIAMETERS: 1-1/8" THRU 2-3/8"
- BLACK POWDER COATED ALUMINUM

\* Frames are sized to fit graphic panel  
 \* Graphic panel produced by others



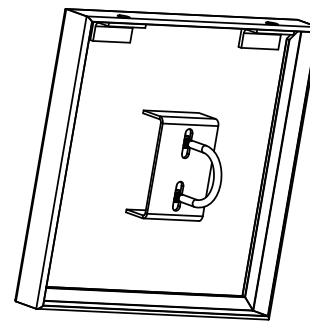
FRAME w/ WOOD POST MOUNT SLEEVE

FRAME w/ DECK/WOOD RAIL MOUNT

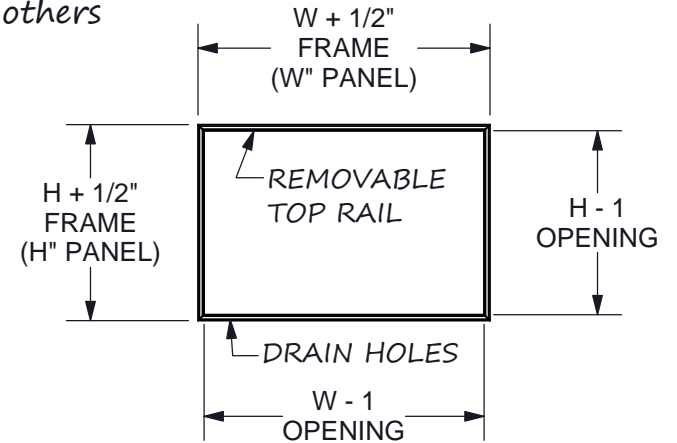


FRAME w/ FLUSH/WALL MOUNT

FRAME w/ WOOD POST MOUNT & POST PROTECTOR



FRAME w/ ROUND RAIL MOUNT(S)



## GRAPHIC PANEL INFO

Corners may have up to MAX 3/4" x 3/4" chamfer OR 3/4" radius

