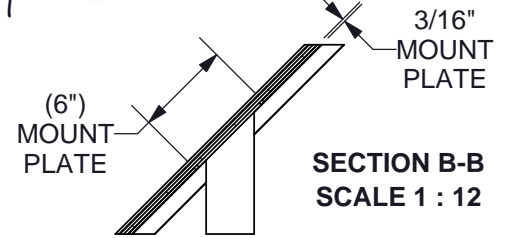
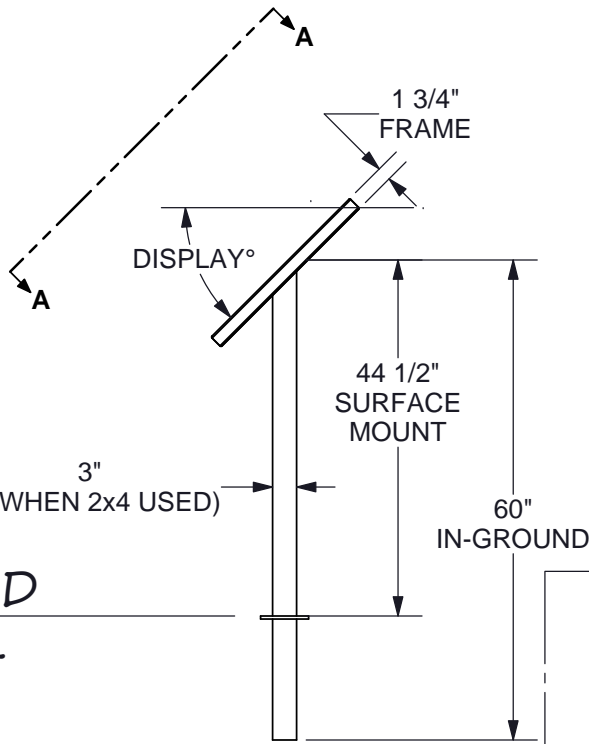
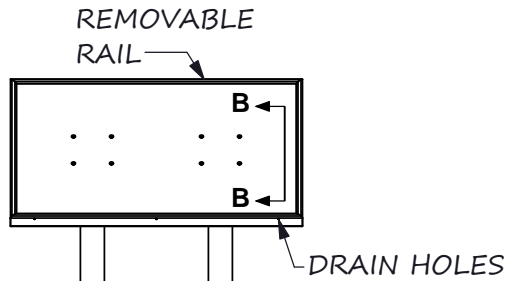
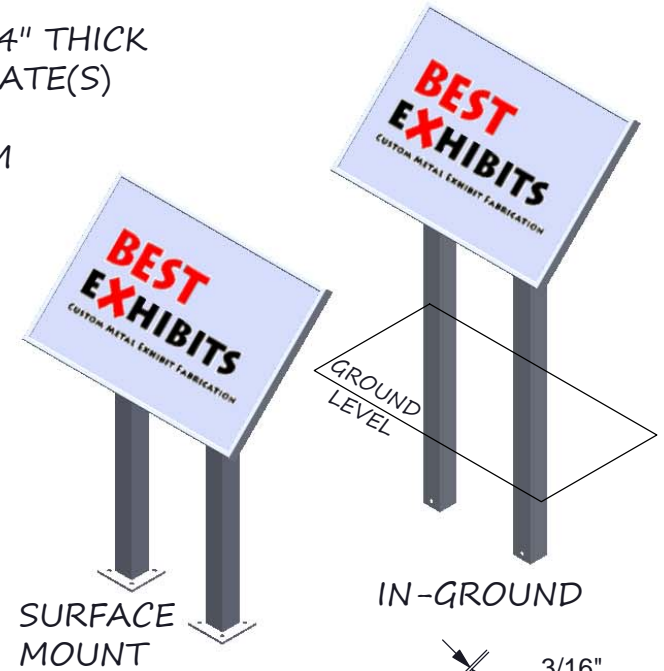
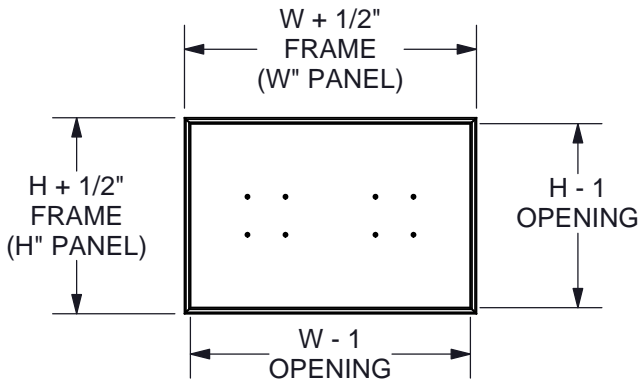


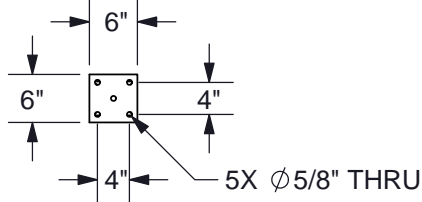
FRAME w/POST(S) EXHIBIT BASE

- 45 or 30° DISPLAY ANGLE
- FRAME FOR PANEL HxW, 1/8" or 1/4" THICK
- 3x3 or 2x4 POST w/ 6x6 MOUNT PLATE(S)
- IN-GROUND or SURFACE MOUNT
- BLACK POWDER COATED ALUMINUM

* Frames are sized to fit graphic panel
 * Graphic panel produced by others



Ø 9/16" THRU FOR CUSTOMER SUPPLIED REBAR (IF DESIRED)



GRAPHIC PANEL INFO

Corners may have up to MAX 3/4" x 3/4" chamfer OR 3/4" radius

