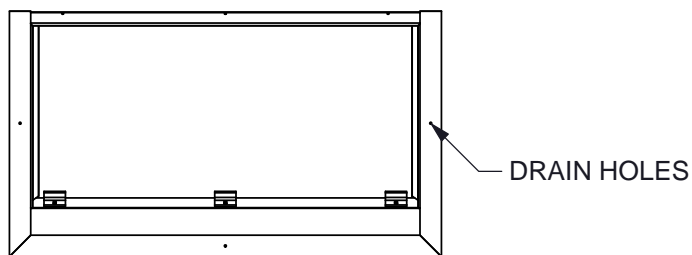
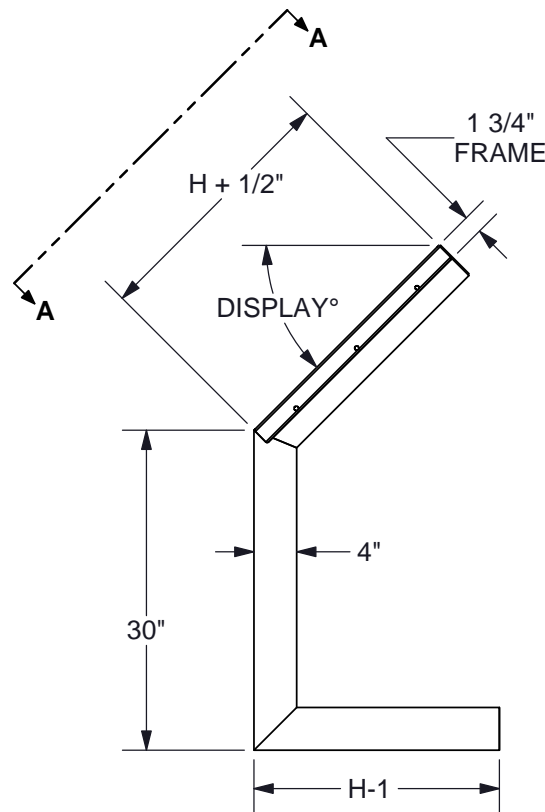
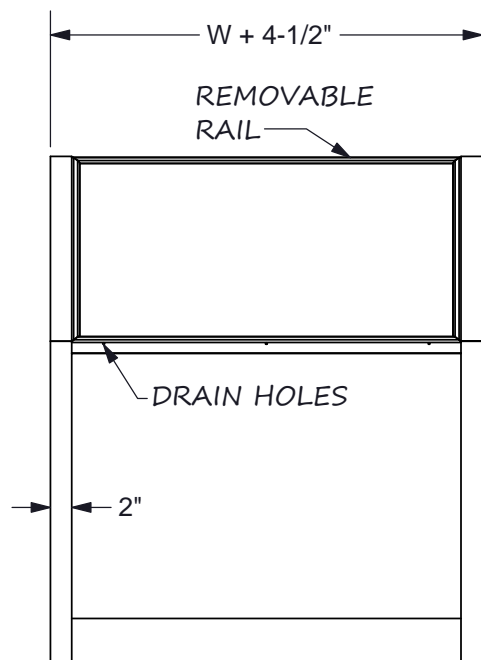


FRAME w/ CANTILEVER SLED BASE

- 45 or 30° DISPLAY ANGLE
- FRAME FOR PANEL HxW, 1/8" or 1/4" THICK
- 2x4 FRAMEWORK
- BLACK POWDER COATED ALUMINUM

- * Frames are sized to fit graphic panel
- * Graphic panel produced by others



GRAPHIC PANEL INFO

Corners may have up to MAX 3/4" x 3/4" chamfer OR 3/4" radius

