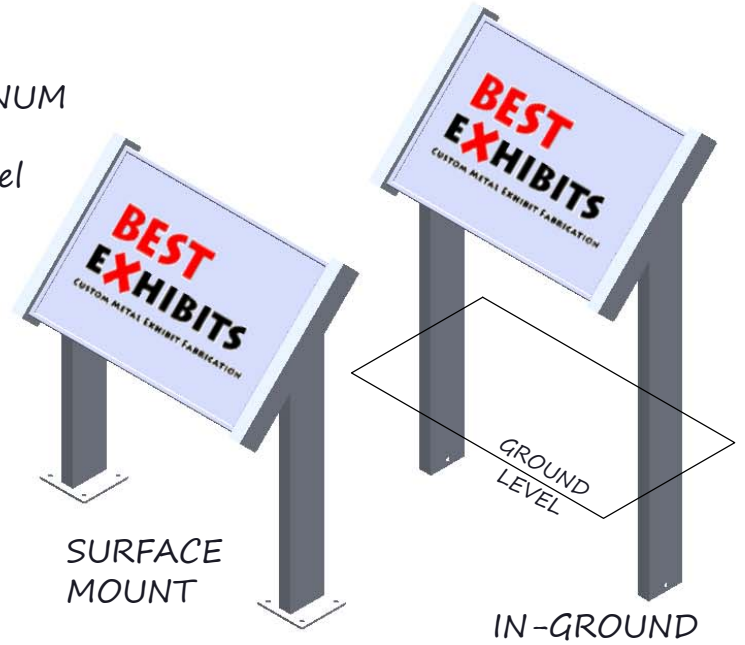
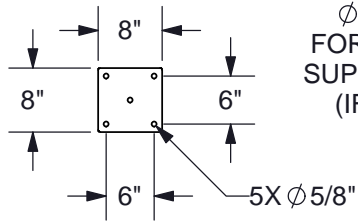
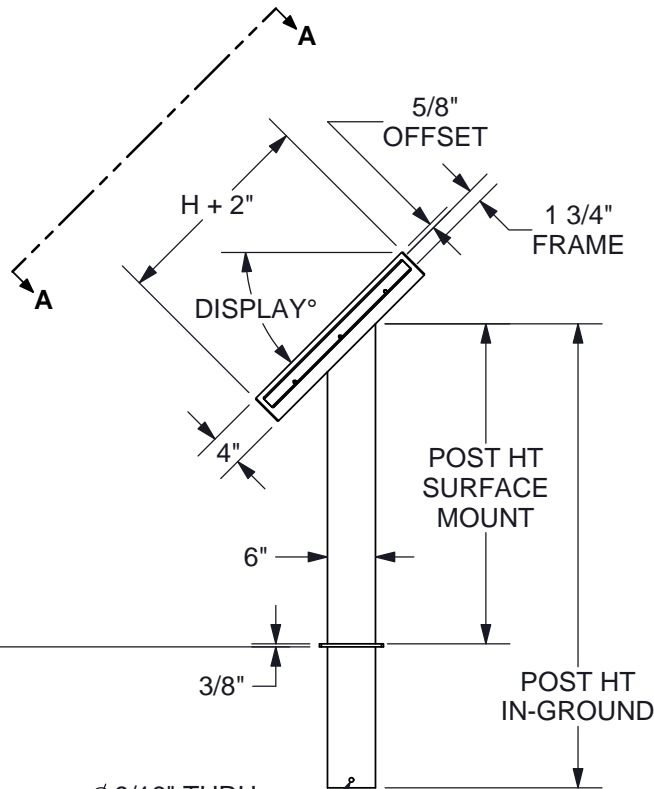
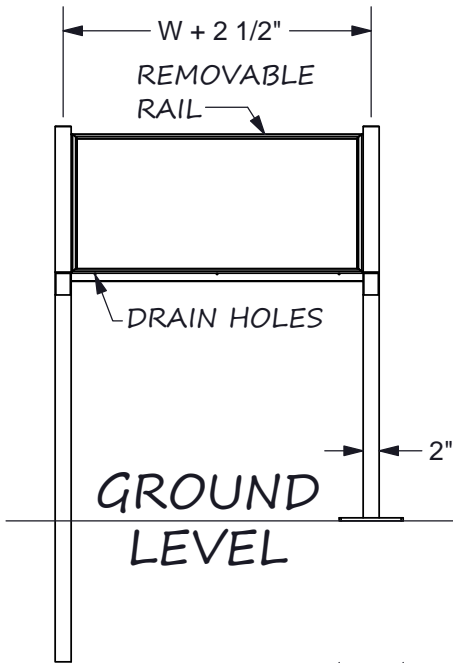
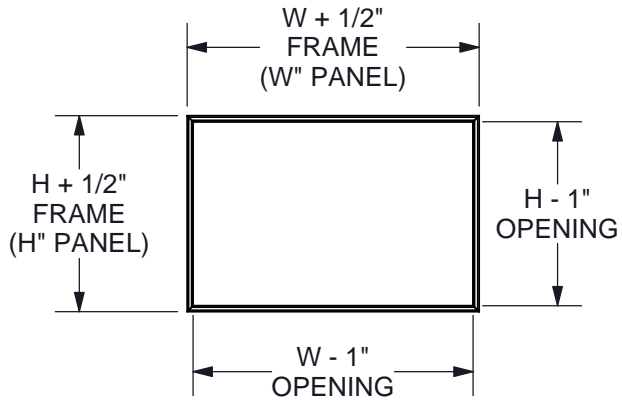


FRAME w/TRADITIONAL EXHIBIT BASE

- 45 or 30° DISPLAY ANGLE
- FRAME FOR PANEL HxW, 1/8" or 1/4" THICK
- 2x4 ARM, 2x6 POST
- IN-GROUND or SURFACE MOUNT
- BLACK POWDER COATED ALUMINUM

* Frames are sized to fit graphic panel
 * Graphic panel produced by others



PANEL H	POST HT	
	IN-GROUND	SURFACE MOUNT
UP TO 24"	58	40
>24	66	44

