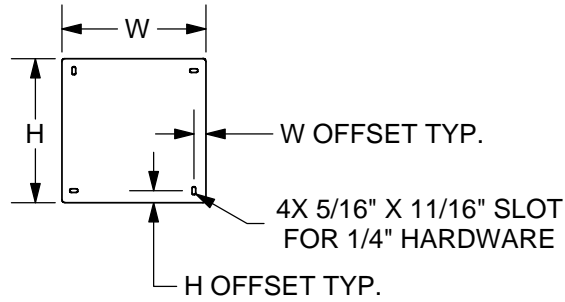
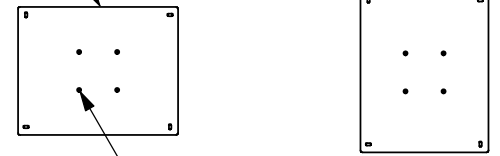


PLATE w/ SLEEVE

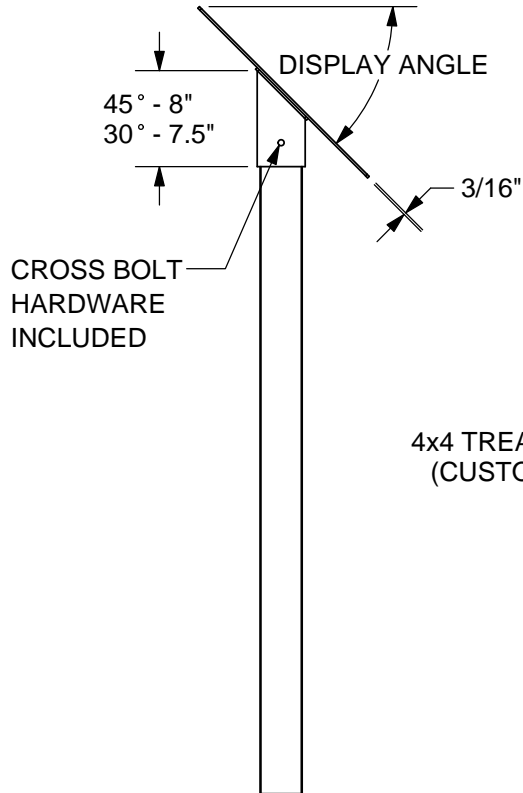
- 45 or 30° DISPLAY ANGLE
- POST MOUNT SLEEVE TO MOUNT ON CUSTOMER SUPPLIED 4x4 WOOD POST
- BLACK POWDER COATED ALUMINUM



2 PC CONSTRUCTION
ORIENTATION BASED ON ASSEMBLY
LANDSCAPE or PORTRAIT

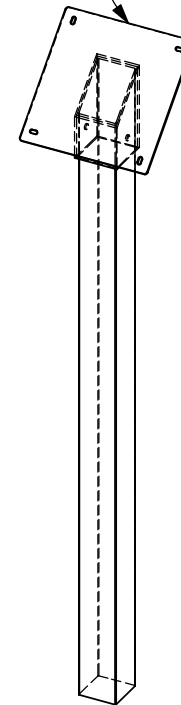


C'SINK FOR 1/4" HARDWARE
TO MATCH MOUNT PLATE

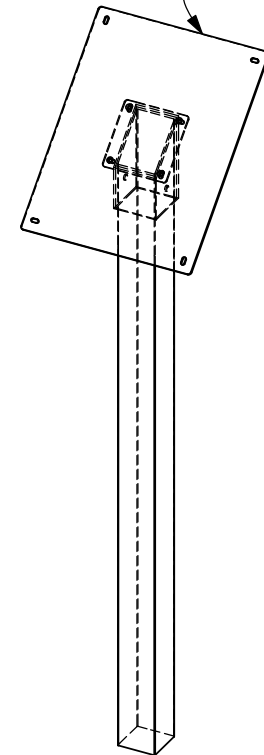


4x4 TREATED WOOD POST
(CUSTOMER SUPPLIED)

BX-1212SWP08A45



BX-0606SWP08A45B16A20A



PART # (less color code)	H x W	H & W OFFSET
BX-0606SWP08A45	6 x 6	5/8"
BX-1212SWP08A45	12 x 12	1"
BX-0606SWP08A45B12A18A *	12 x 18	1"
BX-0606SWP08A45B16A20A *	16 x 20	1"

* = 2 PC CONSTRUCTION, BX-0606SWP08A45 w/ HxW BACKER PLATE & HARDWARE TO MOUNT PLATE TO PEDESTAL