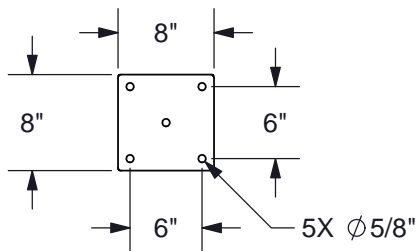
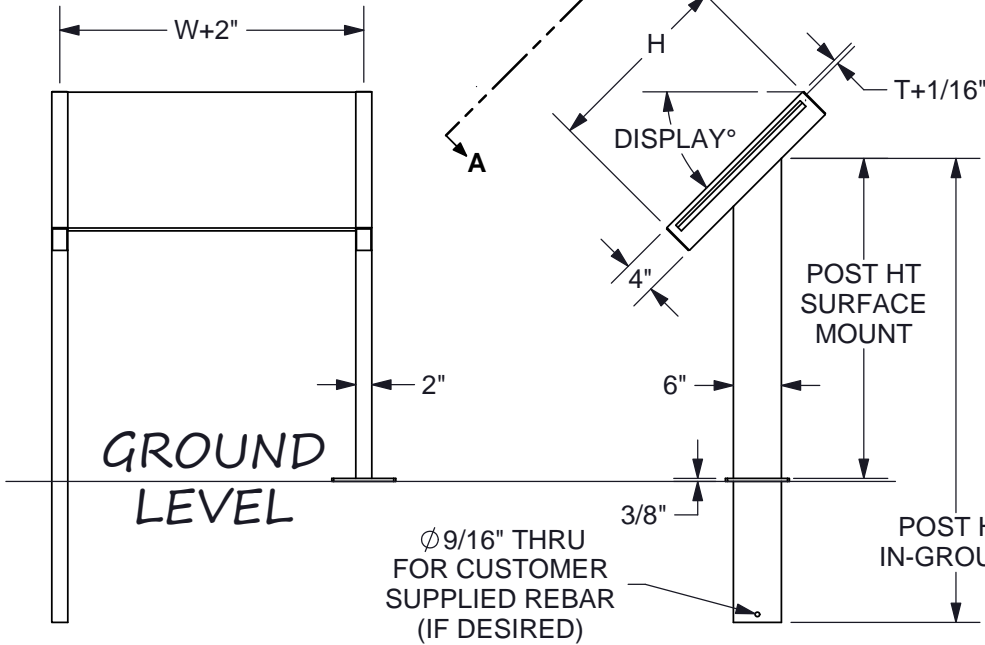
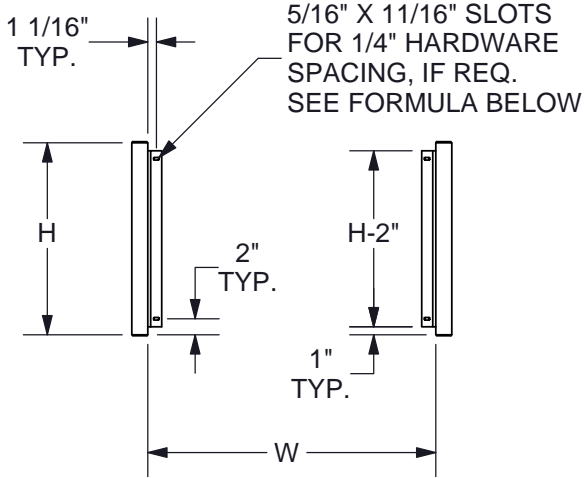


TRADITIONAL PEDESTAL

- 45 or 30° DISPLAY ANGLE
- FOR 1/2" OR THICKER SELF-SUPPORTING PANEL
- 2x4 ARM, 2x6 POST
- IN-GROUND or SURFACE MOUNT
- BLACK POWDER COATED ALUMINUM

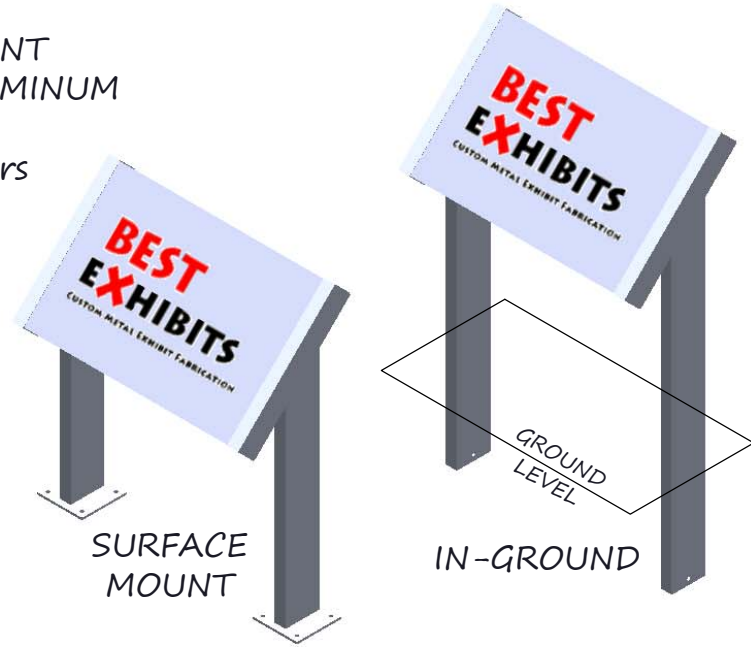
* Graphic panel produced by others



NOTE: # of holes are listed per bracket/side of panel

PANEL HEIGHT	# HOLES
24 & UNDER	2
25-36	3
37-48	4

$$SPACING = (H-4)/(\# HOLES-1)$$



PANEL H	POST HT	
	IN-GROUND	SURFACE MOUNT
UP TO 24"	58	40
>24	66	44

