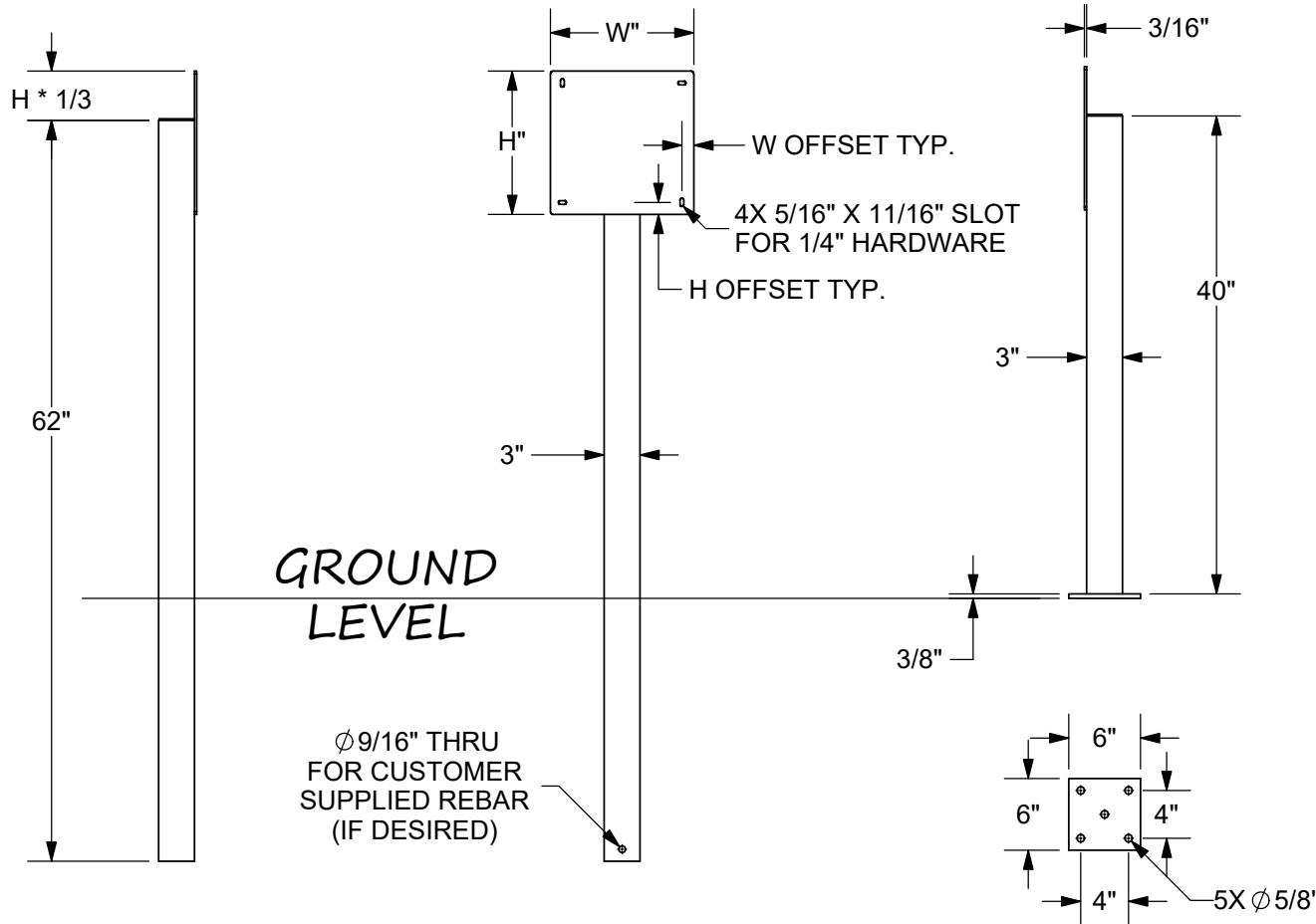


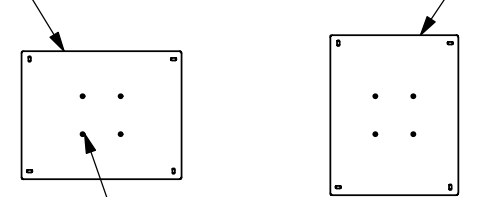
# VERTICAL POST PEDESTAL

- 3x3 POST
- IN-GROUND or SURFACE MOUNT
- BLACK POWDER COATED ALUMINUM



2 PC CONSTRUCTION  
ORIENTATION BASED ON ASSEMBLY

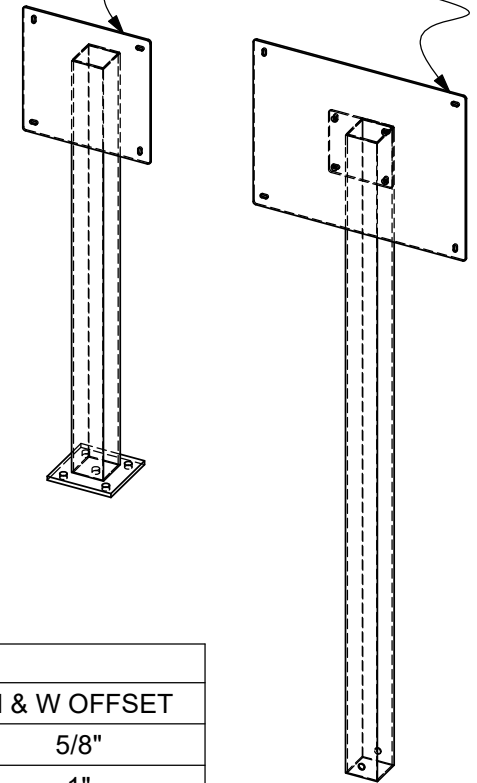
LANDSCAPE or PORTRAIT



C'SINK FOR 1/4" HARDWARE TO MATCH MOUNT PLATE

BX-1212SVB40A90

BX-0606SVG62A90B16A20A



| IN-GROUND MOUNT          |         |              |
|--------------------------|---------|--------------|
| PART # (less color code) | H x W   | H & W OFFSET |
| BX-0606SVG62A90          | 6 x 6   | 5/8"         |
| BX-1212SVG62A90          | 12 x 12 | 1"           |
| BX-0606SVG62A90B16A20A * | 16 x 20 | 1"           |
| BX-0606SVG62A90B12A18A * | 12 x 18 | 1"           |

\* = 2 PC CONSTRUCTION, BX-0606SVG62A90 POST w/ HxW BACKER PLATE & HARDWARE TO MOUNT PLATE TO POST

| SURFACE MOUNT            |         |              |
|--------------------------|---------|--------------|
| PART # (less color code) | H x W   | H & W OFFSET |
| BX-0606SVB40A90          | 6 x 6   | 5/8"         |
| BX-1212SVB40A90          | 12 x 12 | 1"           |
| BX-0606SVB40A90B16A20A * | 16 x 20 | 1"           |
| BX-0606SVB40A90B12A18A * | 12 x 18 | 1"           |

\* = 2 PC CONSTRUCTION, BX-0606SVB40A90 POST w/ HxW BACKER PLATE & HARDWARE TO MOUNT PLATE TO POST