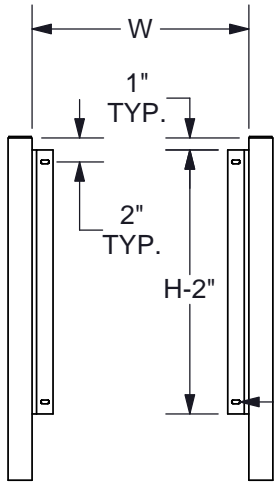


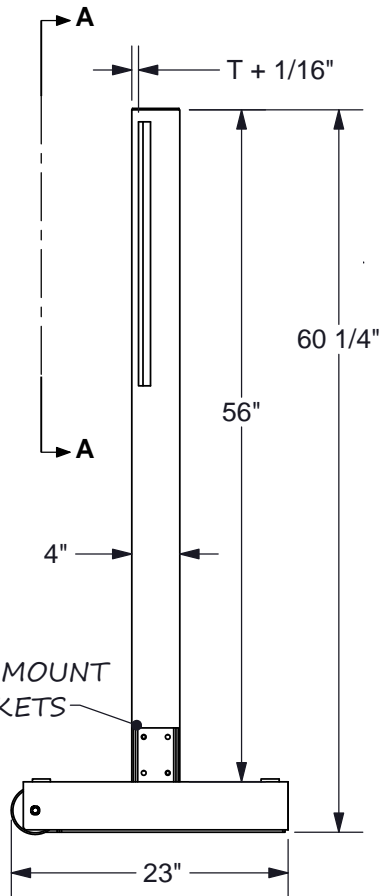
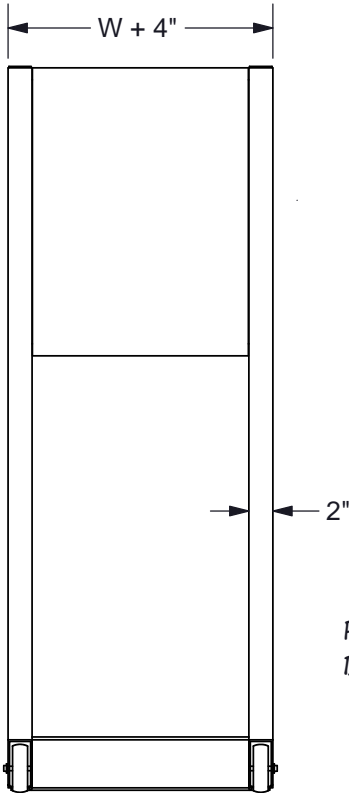
# WEIGHTED BASE PEDESTAL

- FOR 1/2" OR THICKER SELF-SUPPORTING PANEL
- 2x4 POST
- WEIGHT BOX FOR SAND w/ DUAL LOCK LID
- BLACK POWDER COATED ALUMINUM

\* Graphic panel produced by others



5/16" X 11/16" SLOTS FOR 1/4" HARDWARE SPACING, IF REQ. SEE FORMULA BELOW



NOTE: # of holes are listed per bracket/side of panel

PANEL HEIGHT	# HOLES
24 & UNDER	2
25-36	3
37-48	4

$$SPACING = (H-4)/(\# HOLES-1)$$

