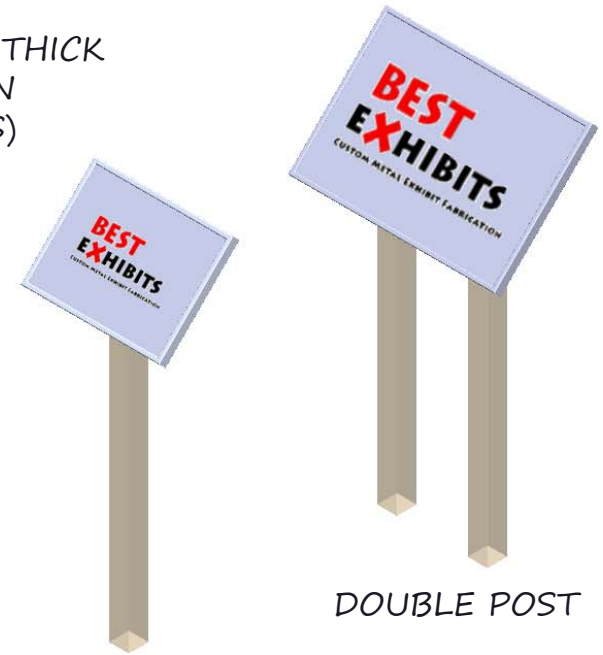
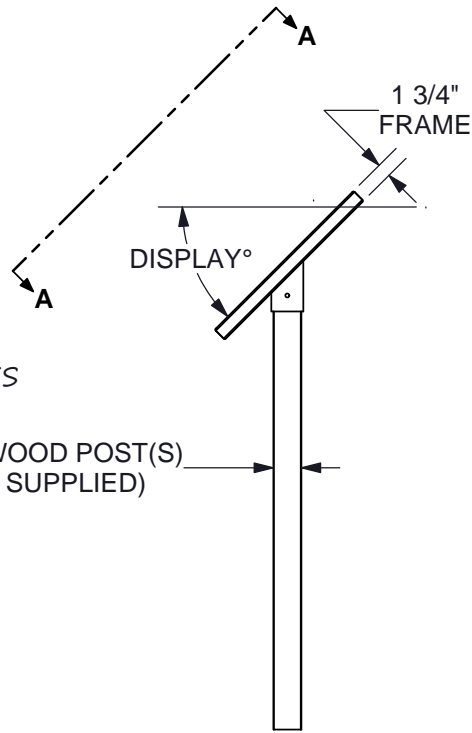
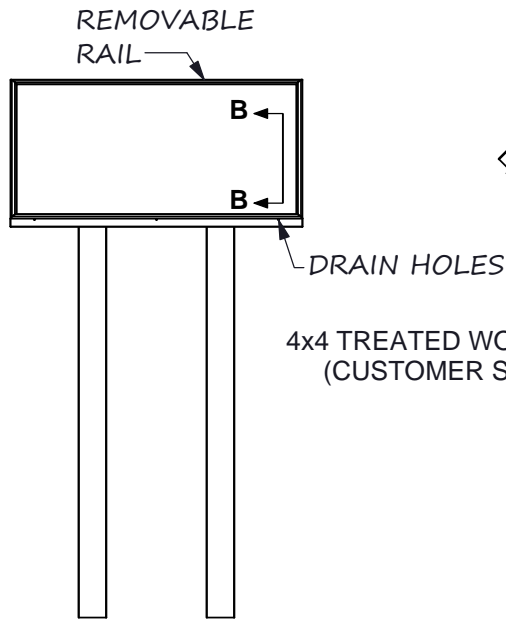
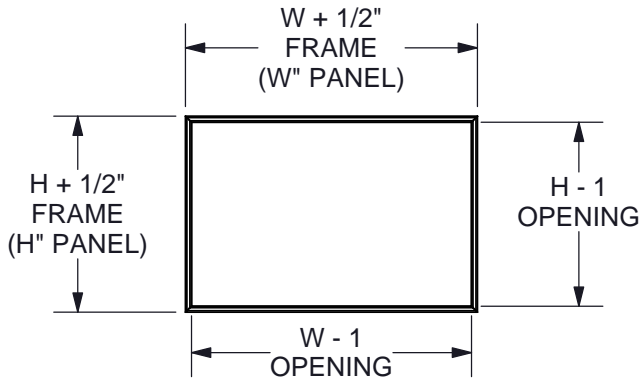


# FRAME w/SLEEVE(S)

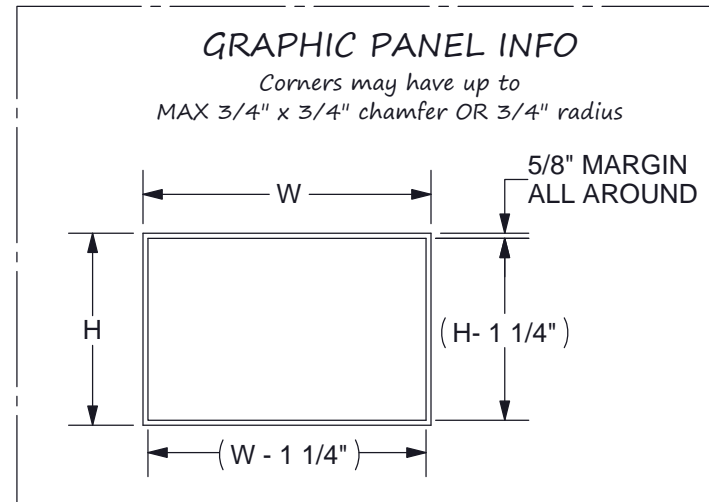
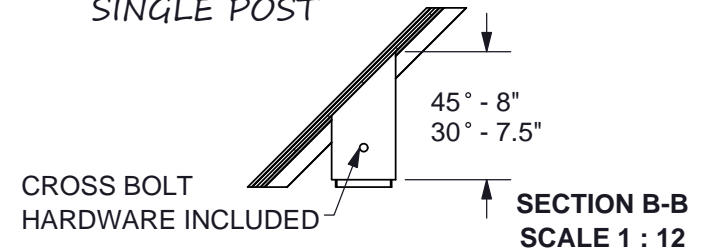
- 45 or 30° DISPLAY ANGLE
- FRAME FOR PANEL HxW, 1/8" or 1/4" THICK
- POST MOUNT SLEEVE(S) TO MOUNT ON CUSTOMER SUPPLIED 4x4 WOOD POST(S)
- BLACK POWDER COATED ALUMINUM

\* Frames are sized to fit graphic panel  
 \* Graphic panel produced by others



SINGLE POST

DOUBLE POST



- \* FRAMES UP TO 18" H x 24" W REQUIRE (1) POST
- \* FRAMES LARGER THAN 18" H x 24" W REQUIRE (2) POSTS
- \* 18"H x 24" W FRAMES MAY HAVE 1 OR 2 POSTS