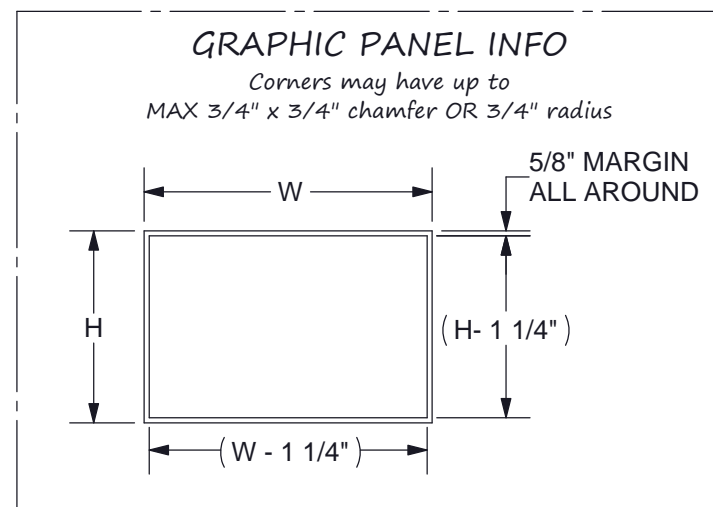
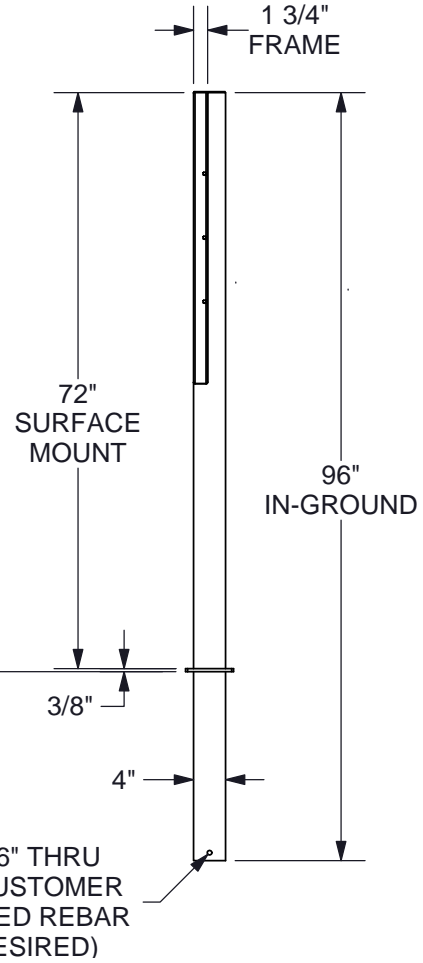
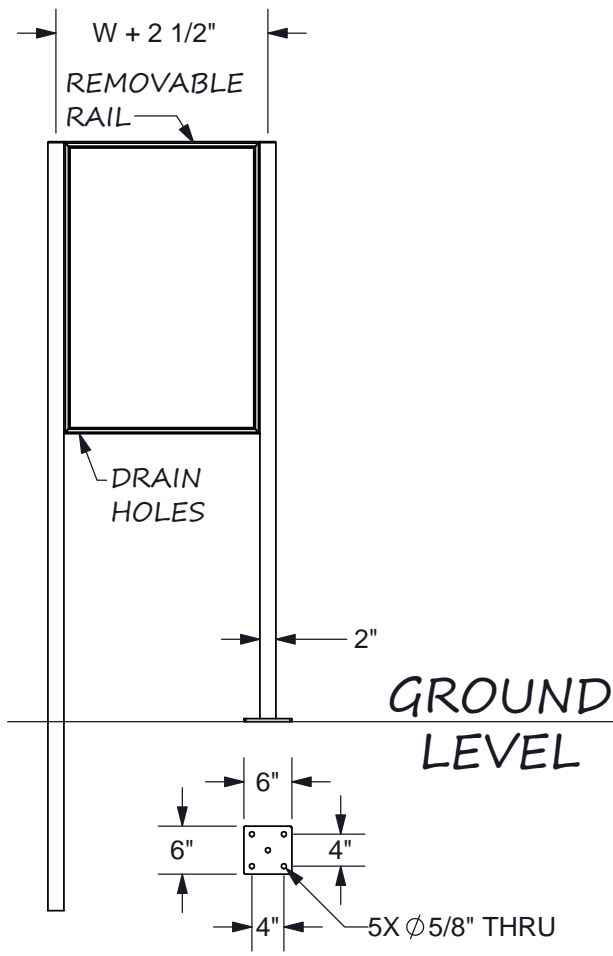
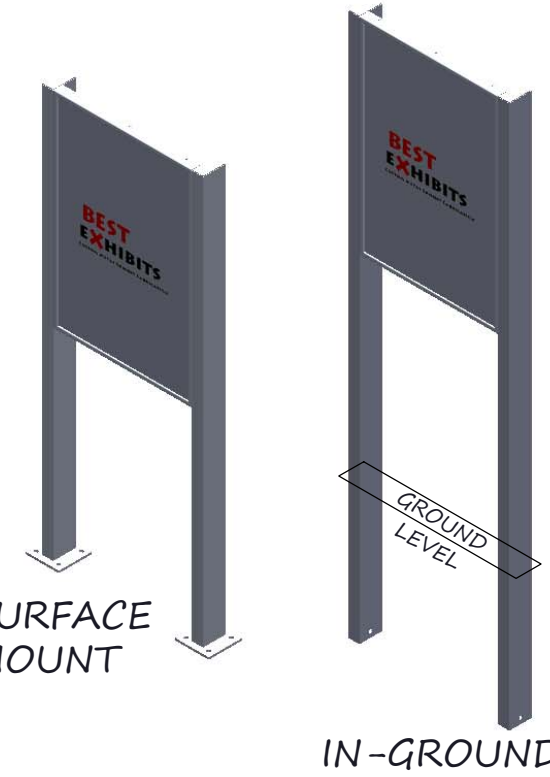


# FRAME w/UPRIGHT EXHIBIT BASE

- FRAME FOR PANEL HxW, 1/8" or 1/4" THICK
- 2x4 POST
- IN-GROUND or SURFACE MOUNT
- BLACK POWDER COATED ALUMINUM

- \* Frames are sized to fit graphic panel
- \* Graphic panel produced by others



Ø 9/16" THRU FOR CUSTOMER SUPPLIED REBAR (IF DESIRED)